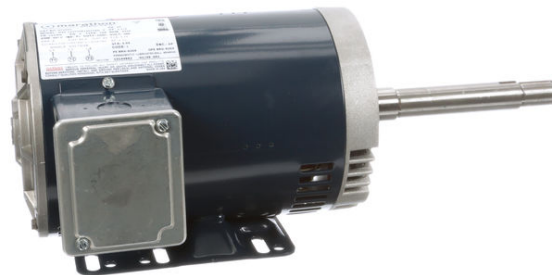


# PRODUCT INFORMATION PACKET

Model No: 143TTDR16010

Catalog No: GT2303

1.50 HP Close-Coupled Pump Motor, 3 phase, 3600 RPM, 200 V, 143JPV Frame, ODP  
JP Motors



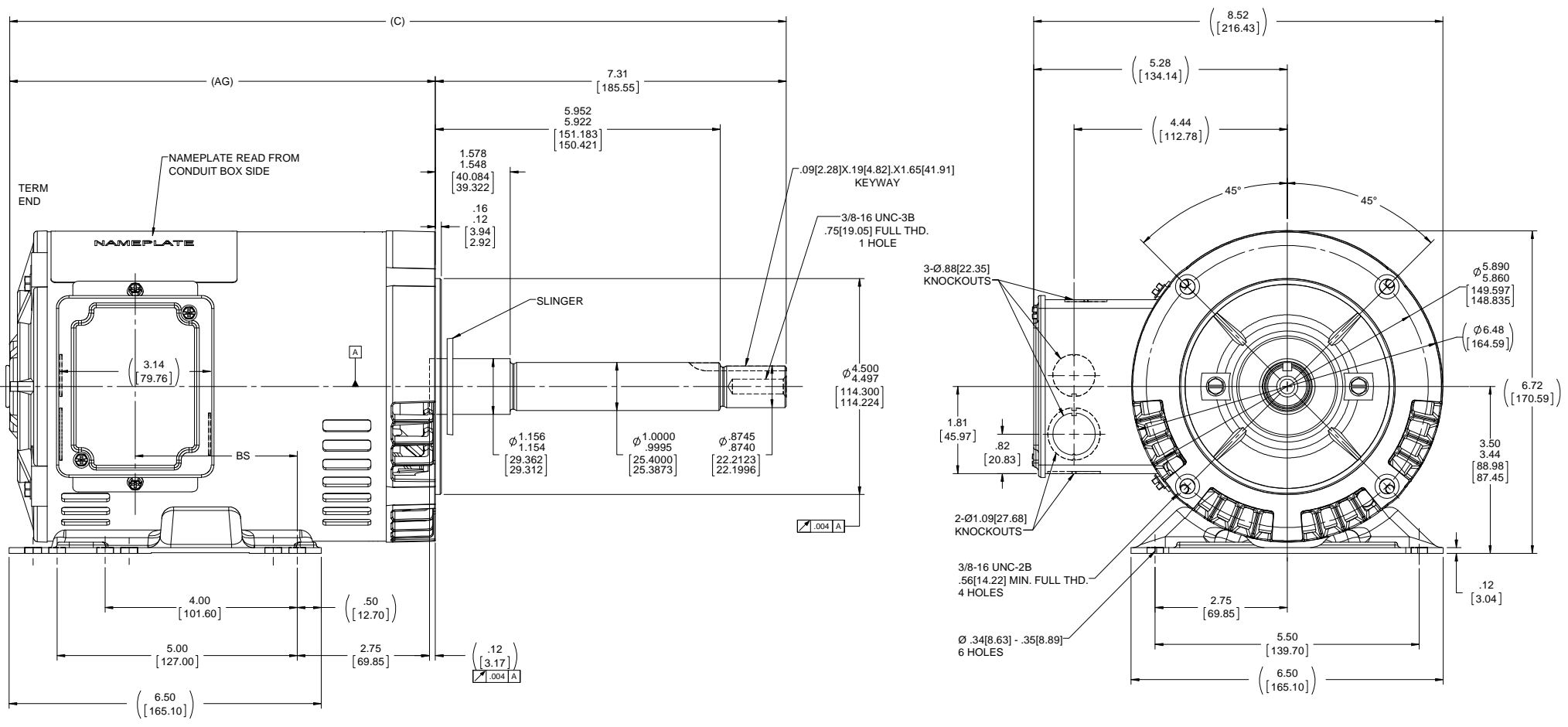
### Nameplate Specifications

Output HP	<b>1.50 Hp</b>	Output KW	<b>1.1 kW</b>
Frequency	<b>60 Hz</b>	Voltage	<b>200 V</b>
Current	<b>4.4 A</b>	Speed	<b>3515 rpm</b>
Service Factor	<b>1.15</b>	Phase	<b>3</b>
Efficiency	<b>86.5 %</b>	Power Factor	<b>84</b>
Duty	<b>Continuous</b>	Insulation Class	<b>F</b>
Design Code	<b>B</b>	KVA Code	<b>L</b>
Frame	<b>143JPV</b>	Enclosure	<b>Drip Proof</b>
Thermal Protection	<b>No</b>	Ambient Temperature	<b>40 °C</b>
Drive End Bearing Size	<b>6206</b>	Opp Drive End Bearing Size	<b>6203</b>
UL	<b>Recognized</b>	CSA	<b>Y</b>
CE	<b>Y</b>	IP Code	<b>22</b>

### Technical Specifications

Electrical Type	<b>Squirrel Cage Inverter Rated</b>	Starting Method	<b>Line Or Inverter</b>
Poles	<b>2</b>	Rotation	<b>Reversible</b>
Resistance Main	<b>9.08 Ohms</b>	Mounting	<b>Rigid Base</b>
Motor Orientation	<b>Horizontal Or Shaft Down</b>	Drive End Bearing	<b>Ball</b>
Opp Drive End Bearing	<b>Ball</b>	Frame Material	<b>Rolled Steel</b>
Shaft Type	<b>JP</b>	Overall Length	<b>17.68 in</b>
Frame Length	<b>8.56 in</b>	Shaft Diameter	<b>0.875 in</b>
Shaft Extension	<b>7.31 in</b>	Assembly/Box Mounting	<b>F1 ONLY</b>
Connection Drawing	<b>A-EE7300</b>	Outline Drawing	<b>A-100132-856</b>

This is an uncontrolled document once printed or downloaded and is subject to change without notice. Date Created:20/01/2021



DASH NO.	"C"	"AG"	"BS"
706	16.17[410.71]	8.87[225.29]	3.37[85.59]
756	16.67[423.41]	9.37[237.99]	3.87[98.29]
806	17.17[436.11]	9.87[250.69]	4.37[110.99]
856	17.67[448.81]	10.37[263.39]	4.87[123.69]
906	18.17[461.51]	10.87[276.09]	5.37[136.39]

NOTES:  
CONDUIT BOX CAN BE ROTATED IN 180° STEPS.

DRAWING REVISION ECO-0143026	REVISION BY A. KEETHA PST	DATE 04/11/2018	TOLERANCES UNLESS OTHERWISE SPECIFIED: FRACTIONS: .001, .005, .010, .015, .030, .063, .125, .250, .500, 1.000, 2.000, 5.000, 10.000, 25.000, 50.000, 100.000, 250.000, 500.000, 1000.000 DECIMALS: .001, .005, .010, .015, .030, .063, .125, .250, .500, 1.000, 2.000, 5.000, 10.000, 25.000, 50.000, 100.000, 250.000, 500.000, 1000.000 ANGLES: 30°, 45°, 60°, 90°, 120°, 150°, 180° HOLE DIMENSIONS: .001, .005, .010, .015, .030, .063, .125, .250, .500, 1.000, 2.000, 5.000, 10.000, 25.000, 50.000, 100.000, 250.000, 500.000, 1000.000 MACHINED SURFACES: .001, .005, .010, .015, .030, .063, .125, .250, .500, 1.000, 2.000, 5.000, 10.000, 25.000, 50.000, 100.000, 250.000, 500.000, 1000.000 FINISH SHOWN IN BRACKETS	DRAWN BY BRH	DATE 11/02/1995	APPROVED BY GK	DESCRIPTION 140 FR.-BB-DR-PR-.38-C FACE-3P EXT.
OUTLINE CONVERSION PROJECT			DRAWING NUMBER 100132		SHEET 1 OF 1		

Regal Beloit America, Inc.

**THREE PHASE - SINGLE VOLTAGE  
MOTOR - CONDUIT BOX @ 'A'**

**TO REVERSE ROTATION:  
INTERCHANGE ANY TWO  
LINE LEAD CONNECTIONS.**

**TERMINAL BLOCK WHEN SPECIFIED**



**VIEW OF TERMINAL END**

**IF MOTOR HAS  
6 LEADS**



A-9806 DECAL

**OPTIONAL CORD  
CONNECTION**

- L1 \_\_\_\_\_ WHITE \_\_\_\_\_
- L2 \_\_\_\_\_ RED \_\_\_\_\_
- L3 \_\_\_\_\_ BLACK \_\_\_\_\_

DRAWING REVISION <b>AB</b>	REVISION BY <b>JJB</b>	DATE <b>06-27-2017</b>
ECO <b>ECO-0125361</b>	APPROVED BY <b>TB</b>	DATE <b>06-27-2017</b>
ECO DESCRIPTION <b>UPDATED TO CURRENT STANDARDS</b>		
<small>COPYRIGHT REGAL BELOIT AMERICA, INC. ALL RIGHTS RESERVED.                  PROPRIETARY AND CONFIDENTIAL INFORMATION - THIS DOCUMENT IS THE PROPERTY OF                  REGAL BELOIT AMERICA, INC. ("OWNER") AND CONTAINS OWNER'S PROPRIETARY                  INFORMATION. ANY PERSON, CORPORATION OR OTHER FIRM RECEIVING IT IS DEEMED,                  BY RECEIVING IT, TO AGREE THAT IT, AND/OR ANY PART OF IT, SHALL NOT BE DISCLOSED                  TO ANY PERSON, CORPORATION OR OTHER ENTITY, DUPLICATED, AND/OR USED, EXCEPT                  AS EXPRESSLY APPROVED IN WRITING IN ADVANCE BY OWNER. THIS DOCUMENT SHALL                  BE RETURNED TO OWNER UPON REQUEST. IT MAY BE SUBJECT TO CERTAIN                  RESTRICTIONS UNDER APPLICABLE EXPORT CONTROL LAWS AND REGULATIONS.</small>		



DRAWN BY <b>DA</b>
DATE <b>03-26-1993</b>
APPROVED BY <b>TB</b>
DATE <b>03-26-1993</b>
REFERENCE
THIRD ANGLE PROJECTION

<b>Regal Beloit America, Inc.</b>		
		DESCRIPTION <b>CONNECTION DIAGRAM</b> EXTERNAL - SINGLE VOLTAGE - 3Ø MOTOR
MATERIAL	PROCESS/FINISH	
SIZE <b>A</b>	DRAWING NUMBER <b>EE7300</b>	SHEET <b>1 OF 1</b>



Data Sheet

Date: 29-06-2017  
 Customer: \_\_\_\_\_  
 Attention: \_\_\_\_\_  
 Submitted by: FAREEDA DUDEKULA



143TTDR16010

Submittal

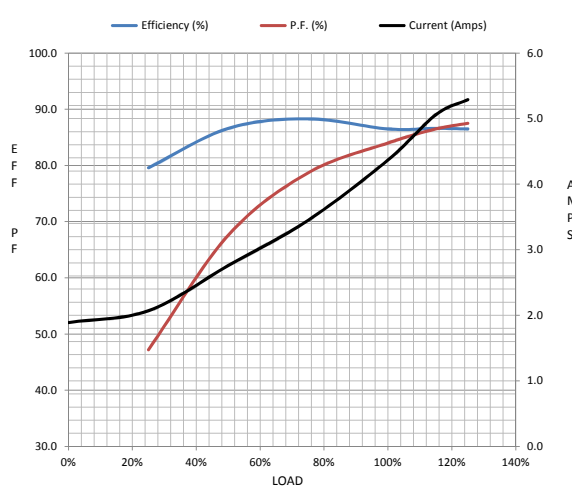
Data @ 200 V

Motor Load Data

Load	0%	25%	50%	75%	100%	115%	125%	LR
Current (Amps)	1.89	2.07	2.76	3.5	4.4	5.1	5.3	42.8
Torque (ft-lb)	0.00	0.55	1.10	1.68	2.25	2.60	2.80	6.8
RPM	3600	3580	3560	3540	3515	3.505	3495	0
Efficiency (%)		79.6	86.6	88.3	86.5	86.6	86.5	
P.F. (%)	14.3	47.2	67.6	78.7	84.0	86.5	87.5	62.5

Motor Speed Data

	LR	Pull-Up	BD	Rated	Idle
Speed (RPM)	0	215	2700	3515	3600
Current (Amps)	42.8	43.0	26.9	4.4	1.89
Torque (ft-lb)	6.8	5.7	10.0	2.25	0.00



Information Block				
HP	1.5			
Sync. RPM	3600			
Frame	143			
Enclosure	DP			
Construction	TDR			
Voltage	200 V			
Frequency	60 Hz			
Design	A			
LR Code letter	L			
Service Factor	1.15			
Temp Rise @ FL	20 ° C			
Duty	CONT			
Ambient	40 ° C			
Elevation	1,000 feet			
Rotor/Shaft wk <sup>2</sup>	0.00 Lb-Ft <sup>2</sup>			
Ref Wdg	ZT2168 DR			
Sound Pressure @ 1M	68 dBA			
VFD Rating	CONSTANT 2:1			
Outline Dwg	A-100132-856			
Conn. Diag	A-EE7300			
Additional Specifications:				
0				
365THFS8036				
EQUIV CKT (OHMS / PHASE)				
R1	R2	X1	X2	Xm
1.0010	0.7150	1.7520	1.7870	67.9190

Speed -Torque Curve

